



## Battery Range Summary

The EnerSys® DataSafe® XE range of front and top terminal batteries has been specifically developed to meet the challenging demands of the modern UPS market sector.

### Features & Benefits

- Specifically designed five minute or less high-rate discharge applications
- Pure lead technology for longer life at elevated temperatures
- 12+ year design life at 20°C
- Up to 24 month shelf life for maximum flexibility in project deployment
- Outstanding power density in industry-standard footprints
- Fast recharge times to support multiple AC outages
- Low energy consumption compared to traditional VRLA AGM batteries

UPS batteries that historically focused on a 15 minute rate discharge have become increasingly ineffective in fulfilling the growing need for sub five minute autonomies. Furthermore, the pressure to lower energy costs by minimising air conditioning in equipment rooms results in a trend towards higher operating temperatures.

To meet these requirements, EnerSys has optimised its world-renowned, advanced Thin Plate Pure Lead (TPPL) technology to deliver five monoblocs with outstanding features and benefits. Unlike typical Valve Regulated Lead Acid (VRLA) Absorbed Glass Mat (AGM) technology UPS batteries, DataSafe front terminal 12XE1010F-FR, 12XE1110F-FR and 12XE1150F-FR and top terminal 12XE760-FR and 12XE1040-FR monoblocs provide the perfect solution to the ever-evolving requirements of today's datacentre world.

## Construction

- High performance TPPL grids for optimised corrosion resistance at high operating temperatures
- Active material specifically engineered for maximum performance at sub 5 minute discharge rates
- Enhanced internal connections designed for high rate UPS loads
- Superior quality microporous glass mat separator with high absorption and stability
- Containers and lids in UL94 V-0 rated flame retardant ABS material, highly resistant to shock and vibration
- High grade dilute sulphuric acid electrolyte absorbed into separator material
- High integrity leak resistant dual-seal terminal design
- Self-regulating pressure relief valves prevent ingress of atmospheric oxygen
- Flame arrestors built into each bloc for increased operational safety
- Robust handles for ease of handling

## Installation & Operation

- Monoblocs are designed for installation in cabinets or on stands, close to the point of use. A separate battery room is not necessary
- It is recommended that DataSafe® XE blocs are installed on their base
- Recommended float charge voltage: 2.27Vpc at 25°C (2.29Vpc at 20°C)
- Low maintenance: no water addition required
- Wide operating temperature range: -40°C to +50°C
- Front terminal connection torque: 9Nm - 80lbf in; Top terminal connection torque: 6.8Nm - 60lbf in
- Up to 24 month shelf life (@ 20°C)
- Front termination design for ease of installation and maintenance
- Top terminal design for upgrades to existing applications

## Standards

- Designed to be compliant with IEC 60896-21/22
- Classified as “Very Long Life” (>12 years) according to the 2015 Eurobat guide
- UL recognised component
- Classified as non-spillable battery and approved as non-hazardous cargo for land, sea and air transportation in accordance with the requirements of ADR / RID, IMDG and IATA respectively
- The management systems governing the manufacture of DataSafe XE products are ISO 9001:2008, ISO 14001:2004 and OHSAS 18001:2007 certified\*

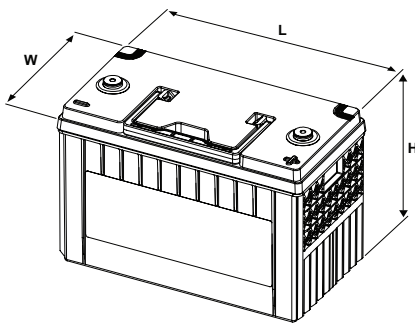
\*OHSAS 18001:2007 certification not applicable to 12XE760-FR

## General Specifications

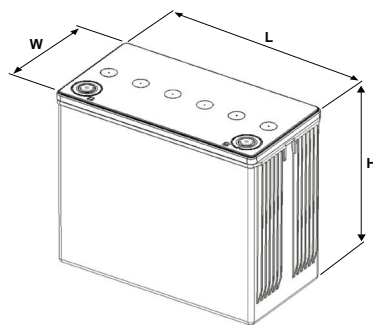
Battery Type	Nominal Voltage (V)	Watts/Cell (Wpc)		Nominal Capacity (Ah)		Nominal Dimensions (mm)			Typical Weight (kg)	Short Circuit Current (A) <sup>(1)</sup>	Internal Resistance (mΩ) <sup>(1)</sup>	Terminals
		5min to 1.67Vpc @ 25°C	15min to 1.67Vpc @ 25°C	C <sub>10</sub> rate to 1.80Vpc @ 20°C	C <sub>8</sub> rate to 1.75Vpc @ 25°C	Length	Width	Overall Height				
12XE760-FR	12	764	390	92	93	330	173	222	35.1	3100	4.00	M6 female
12XE1040-FR	12	1040	560	125	128	338	173	273	43.0	4150	3.30	M6 female
12XE1010F-FR	12	1010	566	155	158	561	125	283	48.7	3498	3.56	M6 male
12XE1110F-FR	12	1109	649	165	167	561	125	283	51.7	3916	3.20	M6 male
12XE1150F-FR	12	1151	705	168	171	561	125	316	61.2	4736	2.64	M6 male

Note: (1) Figures obtained via IEC method.

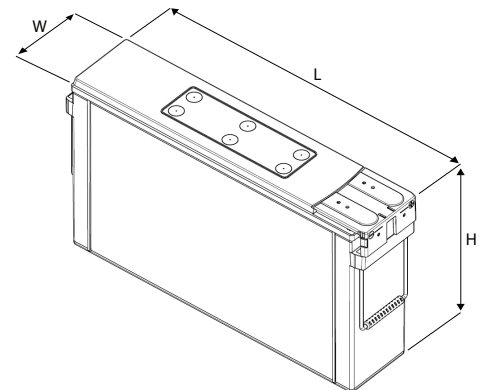
## Outline Drawings



12XE760-FR



12XE1040-FR



12XE1010F-FR  
12XE1110F-FR  
12XE1150F-FR



**EnerSys World Headquarters**  
2366 Bernville Road, Reading,  
PA 19605, USA  
Tel: +1-610-208-1991 /  
+1-800-538-3627

**EnerSys EMEA**  
EH Europe GmbH,  
Baarerstrasse 18,  
6300 Zug  
Switzerland

**EnerSys Asia**  
152 Beach Road,  
Gateway East Building #11-08,  
Singapore 189721  
Tel: +65 6416 4800

Contact: